

AR SERIES

VUEPIX
INFILED



AR SERIES

DELIVERING OUTSTANDING PERFORMANCE

AR Series

Delivering Outstanding Performance

VuePix Infiled AR series offers lightweight high performance panels for indoor and outdoor applications.

The new advanced AR series panels feature magnets on the top and bottom of the frame to pre-lock the cabinets, and positioning pins for quick and easy alignment. The panels are equipped with ergonomic handles for easy manoeuvring. Climbing handles can be added for easy access & maintenance during large scale applications. The separate power and data unit can be exchanged easily with no tools required.

The AR series cabinets come in both front and rear servicing options. Curved displays can be achieved by using special angle couplers.

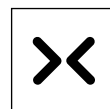
The AR series offers a wide range of accessories, designed to minimise the set-up time during rental applications.



IP65
Options



Lightweight



Thin

SET-UP & ALIGNMENT



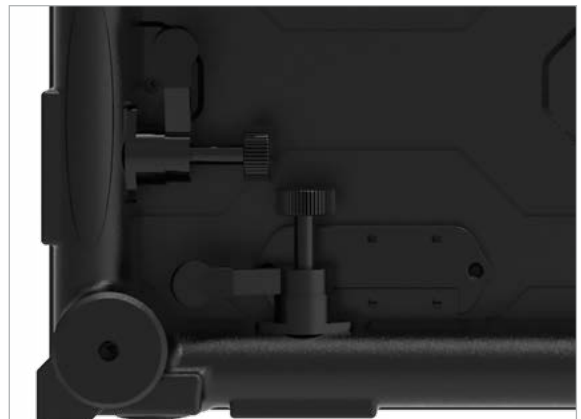
Magnets on the top and bottom of the frame to pre-lock the cabinets



Positioning pins for quick and easy alignment



Ergonomic handles for convenient manoeuvring



'Fast lock system' for easy assembly

EASY MAINTENANCE

Module Access

LED modules can be easily replaced with no tools required.

Front and rear service options are available.



Power & Data Unit

Exchangeable power and data unit can be replaced without tools.



Climbing Handles

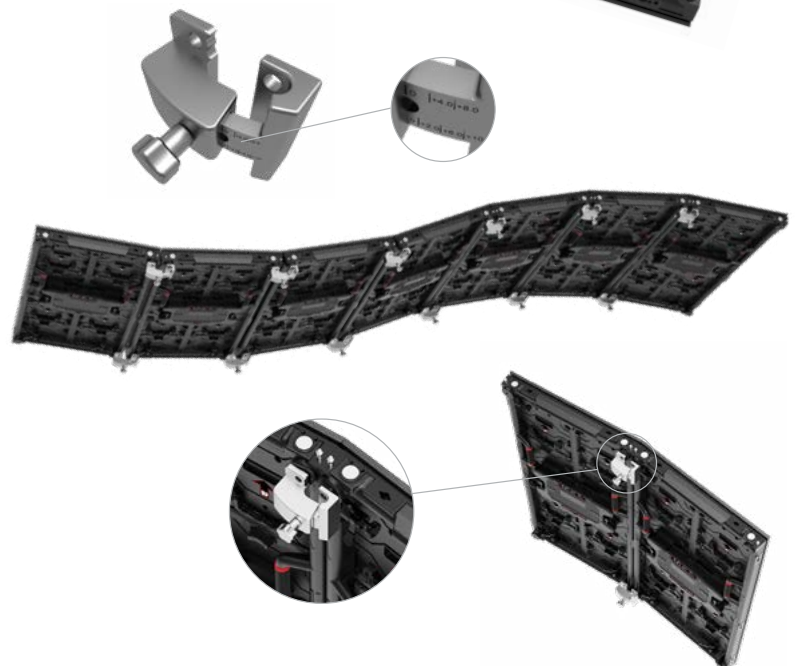
Climbing handles can be added for easy access & maintenance during large scale applications.



CURVED SYSTEM

Angle Coupler (Optional)

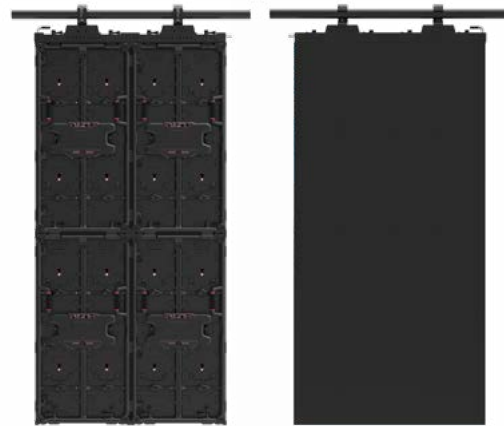
Curved displays can be achieved by using special angle couplers.



STACKED HANGING SYSTEM

Truss Brackets

Truss bars are available in different sizes and modifications for hanging applications.



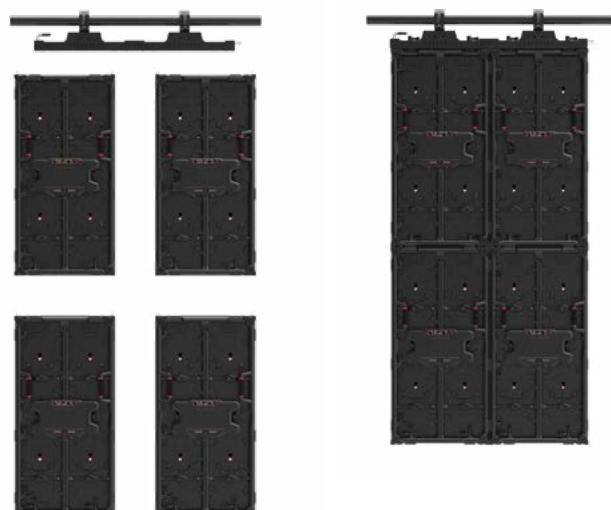
Stacking Pedestal

Pedestals are available for single, double and triple panel configurations.



Multi-Panel Assembly

Designed to minimise the set-up time and boost the efficiency of your team!



AR - INDOOR PANEL SPECIFICATIONS

| | AR Indoor P2 | AR Indoor P3 | AR Indoor P5 | AR Indoor P6 |
|-------------------------|--------------------------------------|--------------------------------------|--------------------------------------|--------------------------------------|
| Series | AR | AR | AR | AR |
| Pixel Pitch | 2.97 mm | 3.91 mm | 5.95 mm | 6.94 mm |
| Environment | Indoor | Indoor | Indoor | Indoor |
| LED Configuration | 3 IN 1 SMD | 3 IN 1 SMD | 3 IN 1 SMD | 3 IN 1 SMD |
| Max. Brightness | 1,200 nits | 1,200 nits | 1,000 nits | 1,000 nits |
| Refresh Rate | ≤2,880 Hz | ≤3,840 Hz | ≤3,840 Hz | ≤3,840 Hz |
| Viewing Angle | 160°/160° | 160°/160° | 160°/160° | 160°/160° |
| Cabinet Resolution | 168 x 336 pixels | 128 x 256 pixels | 84 x 168 pixels | 72 x 144 pixels |
| Cabinet Width | 500 mm | 500 mm | 500 mm | 500 mm |
| Cabinet Height | 1000 mm | 1000 mm | 1000 mm | 1000 mm |
| Cabinet Depth | 66 mm | 66 mm | 66 mm | 66 mm |
| Cabinet Weight | 12.8 kg | 12.5 kg | 12.5 kg | 12.5 kg |
| Max. Power Consumption | 540 W /m ² , 270 W /panel | 540 W /m ² , 270 W /panel | 540 W /m ² , 270 W /panel | 540 W /m ² , 270 W /panel |
| Aver. Power Consumption | 180 W /m ² , 90 W /panel | 180 W /m ² , 90 W /panel | 180 W /m ² , 90 W /panel | 180 W /m ² , 90 W /panel |
| Transparency | N/A | N/A | N/A | N/A |
| Curving | Optional | Optional | Optional | Optional |
| Operating Power Source | 100-240V AC, 50-60Hz | 100-240V AC, 50-60Hz | 100-240V AC, 50-60Hz | 100-240V AC, 50-60Hz |
| Operating Temperature | -20°C~+45°C | 20°C~+45°C | 20°C~+45°C | 20°C~+45°C |
| Ingress Protection | IP30 | IP30 | IP30 | IP30 |
| Max. Rigging | 18 Panels | 18 Panels | 18 Panels | 18 Panels |
| Verification | CE, ETL, FCC, RoHS, RCM | CE, ETL, FCC, RoHS, RCM | CE, ETL, FCC, RoHS, RCM | CE, ETL, FCC, RoHS, RCM |
| Application | Rental / Install | Rental / Install | Rental / Install | Rental / Install |

| | AR Indoor P2 Half Panel | AR Indoor P3 Half Panel | AR Indoor P5 Half Panel | AR Indoor P6 Half Panel |
|-------------------------|--------------------------------------|--------------------------------------|--------------------------------------|--------------------------------------|
| Series | AR | AR | AR | AR |
| Pixel Pitch | 2.97mm | 3.91mm | 5.95 mm | 6.94 mm |
| Environment | Indoor | Indoor | Indoor | Indoor |
| LED Configuration | 3 IN 1 SMD | 3 IN 1 SMD | 3 IN 1 SMD | 3 IN 1 SMD |
| Max. Brightness | 1,200 nits | 1,200 nits | 1,000 nits | 1,000 nits |
| Refresh Rate | ≤2,880 Hz | ≤3,840 Hz | ≤3,840 Hz | ≤3,840 Hz |
| Viewing Angle | 160°/160° | 160°/160° | 160°/160° | 160°/160° |
| Cabinet Resolution | 168 x 168 pixels | 128 x 128 pixels | 84 x 84 pixels | 72 x 72 pixels |
| Cabinet Width | 500 mm | 500 mm | 500 mm | 500 mm |
| Cabinet Height | 500mm | 500 mm | 500 mm | 500 mm |
| Cabinet Depth | 66 mm | 66 mm | 66 mm | 66 mm |
| Cabinet Weight | 8 kg | 8 kg | 8 kg | 8 kg |
| Max. Power Consumption | 540 W /m ² , 270 W /panel | 540 W /m ² , 270 W /panel | 540 W /m ² , 270 W /panel | 540 W /m ² , 270 W /panel |
| Aver. Power Consumption | 180 W /m ² , 90 W /panel | 180 W /m ² , 90 W /panel | 180 W /m ² , 90 W /panel | 180 W /m ² , 90 W /panel |
| Transparency | N/A | N/A | N/A | N/A |
| Curving | Optional | Optional | Optional | Optional |
| Operating Power Source | 100-240V AC, 50-60Hz | 100-240V AC, 50-60Hz | 100-240V AC, 50-60Hz | 100-240V AC, 50-60Hz |
| Operating Temperature | 20°C~+45°C | 20°C~+45°C | -20°C~+45°C | -20°C~+45°C |
| Ingress Protection | IP30 | IP30 | IP30 | IP30 |
| Max. Rigging | 30 Panels | 30 Panels | 30 Panels | 30 Panels |
| Verification | CE, ETL, FCC, RoHS, RCM | CE, ETL, FCC, RoHS, RCM | CE, ETL, FCC, RoHS, RCM | CE, ETL, FCC, RoHS, RCM |
| Application | Rental / Install | Rental / Install | Rental / Install | Rental / Install |

AR Series PLUS version On certain ranges of the AR series screen, we can offer a full black outdoor LED chip for increased contrast ratios.

AR Series PRO version The AR series PRO version features standard white face black frame LED chips.

AR - OUTDOOR PANEL SPECIFICATIONS

| | AR Outdoor P3 | AR Outdoor P4 | AR Outdoor P5 | AR Outdoor P7 | AR Outdoor P10 |
|-------------------------|--------------------------------------|--------------------------------------|--------------------------------------|--------------------------------------|--------------------------------------|
| Series | AR | AR | AR | AR | AR |
| Pixel Pitch | 3.91 mm | 4.63 mm | 5.95 mm | 7.81 mm | 10.41 mm |
| Environment | Outdoor | Outdoor | Outdoor | Outdoor | Outdoor |
| LED Configuration | 3 IN 1 SMD | 3 IN 1 SMD | 3 IN 1 SMD | 3 IN 1 SMD | 3 IN 1 SMD |
| Max. Brightness | 5,000 nits | 5,000 nits | 5,000 nits | 5,000 nits | 5,000 nits |
| Refresh Rate | ≤3,840 Hz | ≤3,840 Hz | ≤3,840 Hz | ≤3,840 Hz | ≤3,840 Hz |
| Viewing Angle | 160°/155° | 160°/135° | 160°/130° | 160°/130° | 160°/110° |
| Cabinet Resolution | 128 x 256 pixels | 108 x 216 pixels | 84 x 168 pixels | 64 x 128 pixels | 48 x 96 pixels |
| Cabinet Width | 500 mm | 500 mm | 500 mm | 500 mm | 500 mm |
| Cabinet Height | 1000 mm | 1000 mm | 1000 mm | 1000 mm | 1000 mm |
| Cabinet Depth | 66 mm | 67 mm | 68 mm | 69mm | 69 mm |
| Cabinet Weight | 12.5 kg | 12.7 kg | 12.6 kg | 12.5 kg | 12.5 kg |
| Max. Power Consumption | 540 W /m ² , 270 W /panel | 540 W /m ² , 270 W /panel | 600 W /m ² , 300 W /panel | 600 W /m ² , 300 W /panel | 600 W /m ² , 300 W /panel |
| Aver. Power Consumption | 180 W /m ² , 90 W /panel | 180 W /m ² , 90 W /panel | 200 W /m ² , 100 W /panel | 200 W /m ² , 100 W /panel | 200 W /m ² , 100 W /panel |
| Transparency | N/A | N/A | N/A | N/A | N/A |
| Curving | Optional | Optional | Optional | Optional | Optional |
| Operating Power Source | 100-240V AC, 50-60Hz | 100-240V AC, 50-60Hz | 100-240V AC, 50-60Hz | 100-240V AC, 50-60Hz | 100-240V AC, 50-60Hz |
| Operating Temperature | -20°C~+45°C | -20°C~+45°C | -20°C~+45°C | -20°C~+45°C | -20°C~+45°C |
| Ingress Protection | IP65 | IP65 | IP65 | IP65 | IP65 |
| Verification | CE, ETL, FCC, RoHS, RCM | CE, ETL, FCC, RoHS, RCM | CE, ETL, FCC, RoHS, RCM | CE, ETL, FCC, RoHS, RCM | CE, ETL, FCC, RoHS, RCM |
| Application | Rental / Install | Rental / Install | Rental / Install | Rental / Install | Rental / Install |

| | AR Outdoor P3 Half Panel | AR Outdoor P4 Half Panel | AR Outdoor P5 Half Panel | AR Outdoor P7 Half Panel | AR Outdoor P10 Half Panel |
|-------------------------|--------------------------------------|--------------------------------------|--------------------------------------|--------------------------------------|--------------------------------------|
| Series | AR | AR | AR | AR | AR |
| Pixel Pitch | 3.91 mm | 4.63 mm | 5.95 mm | 7.81 mm | 10.41 mm |
| Environment | Outdoor | Outdoor | Outdoor | Outdoor | Outdoor |
| LED Configuration | 3 IN 1 SMD | 3 IN 1 SMD | 3 IN 1 SMD | 3 IN 1 SMD | 3 IN 1 SMD |
| Max. Brightness | 5,000 nits | 5,000 nits | 5,000 nits | 5,000 nits | 5,000 nits |
| Refresh Rate | ≤3,840 Hz | ≤3,840 Hz | ≤3,840 Hz | ≤3,840 Hz | ≤3,840 Hz |
| Viewing Angle | 160°/155° | 160°/135° | 160°/130° | 160°/130° | 160°/110° |
| Cabinet Resolution | 128 x 128 pixels | 108 x 108 pixels | 84 x 84 pixels | 64 x 64 pixels | 48 x 48 pixels |
| Cabinet Width | 500 mm | 500 mm | 500 mm | 500 mm | 500 mm |
| Cabinet Height | 500 mm | 500 mm | 500 mm | 500 mm | 500 mm |
| Cabinet Depth | 66 mm | 67 mm | 68 mm | 69 mm | 69 mm |
| Cabinet Weight | 8 kg | 8 kg | 8 kg | 8 kg | 8 kg |
| Max. Power Consumption | 540 W /m ² , 270 W /panel | 540 W /m ² , 270 W /panel | 600 W /m ² , 300 W /panel | 600 W /m ² , 300 W /panel | 600 W /m ² , 300 W /panel |
| Aver. Power Consumption | 180 W /m ² , 90 W /panel | 180 W /m ² , 90 W /panel | 200 W /m ² , 100 W /panel | 200 W /m ² , 100 W /panel | 200 W /m ² , 100 W /panel |
| Transparency | N/A | N/A | N/A | N/A | N/A |
| Curving | Optional | Optional | Optional | Optional | Optional |
| Operating Power Source | 100-240V AC, 50-60Hz | 100-240V AC, 50-60Hz | 100-240V AC, 50-60Hz | 100-240V AC, 50-60Hz | 100-240V AC, 50-60Hz |
| Operating Temperature | -20°C~+45°C | -20°C~+45°C | -20°C~+45°C | -20°C~+45°C | -20°C~+45°C |
| Ingress Protection | IP65 | IP65 | IP65 | IP65 | IP65 |
| Verification | CE, ETL, FCC, RoHS, RCM | CE, ETL, FCC, RoHS, RCM | CE, ETL, FCC, RoHS, RCM | CE, ETL, FCC, RoHS, RCM | CE, ETL, FCC, RoHS, RCM |
| Application | Rental / Install | Rental / Install | Rental / Install | Rental / Install | Rental / Install |



VUEPIX
INFILED

Contact our VuePix Infiled experts to discuss your next project

AUS: 1800 883 749 NZ: 09 218 6532 INT: +61 7 5509 4633 | info@vuepix.com | www.vuepix.com

REDEFINING TECHNOLOGY IN EVERY PIXEL